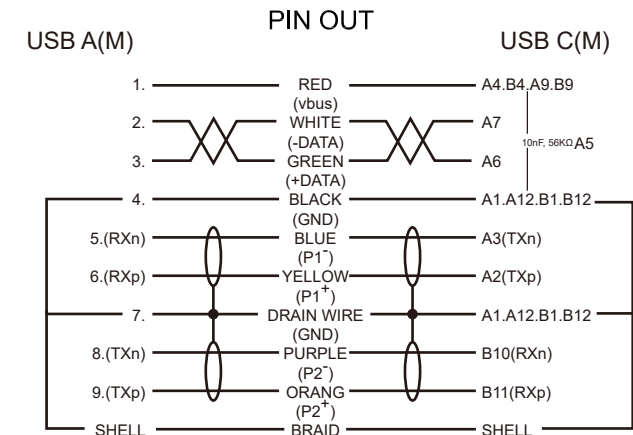


L:

CBL-RTPD3SABCX-1m	1000mm±10mm
CBL-RTPD3SABCX-2m	2000mm±20mm
CBL-RTPD3SABCX-3m	3000mm±20mm
CBL-RTPD3SABCX-4m	4000mm±30mm
CBL-RTPD3SABCX-5m	5000mm±30mm



No	MATERIALS LIST:
1.	CABLE: 3 x (2 x 26 AWG)ST + 2 x 24 AWG O.D.:8.0mm COLOR:BLACK
2.	CONNECTOR:USB 3.0 A/M, 9P, BLUE INSULATOR SOLDER TYPE, NICKEL PLATED SHELL
3.	CONNECTOR:USB 3.1 TYPE-C, MALE, NICKEL PLATED SHELL
4.	PVC MOLDED HOUSING, BLACK COLOR
5.	

Jargy part no.	Client part no.	Approved	SCALE	UNIT
CBL-RTPD3SABCX-xm				mm
Drawing Name		Drawn	Date	REV.
USB 3.1 GEN 1 A to C Cable M/M				1.0